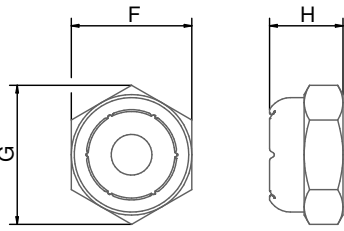
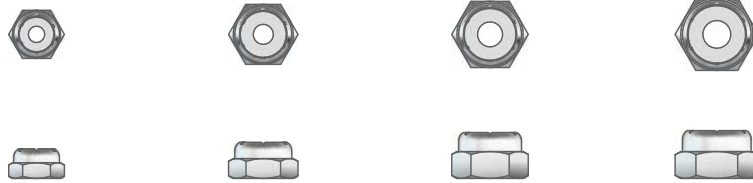


US NYLON INSERTED HEX LOCK NUT SIZE CHART

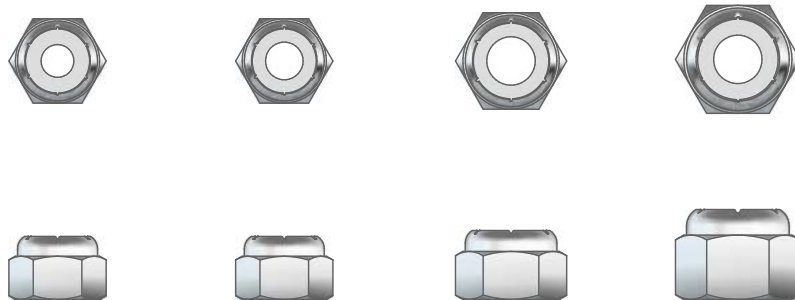


F - Width Across the Flats
G - Width Across Corners
H - Thickness



Nut Sizes	#4	#6	#8	#10
Thread Per Inch (TPI) - Course	40	32	32	24
Thread Per Inch (TPI) - Fine	48	40	36	32
Width Across the Flats	0.251"	0.313"	0.345"	0.376"
Width Across Corners	0.290"	0.361"	0.398"	0.434"
Thickness	0.153"	0.188"	0.239"	0.249"

"Width Across the Flats" is the same as "Wrench Size"

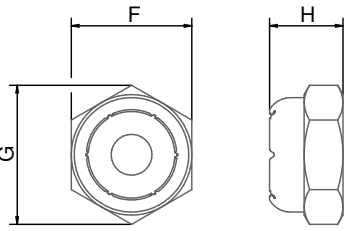


Nut Sizes	#12	1/4"	5/16"	3/8"
Thread Per Inch (TPI) - Course	24	20	18	16
Thread Per Inch (TPI) - Fine	28	28	24	24
Width Across the Flats	0.439"	0.439"	0.502"	0.563"
Width Across Corners	0.507"	0.507"	0.580"	0.650"
Thickness	0.328"	0.328"	0.359"	0.468"

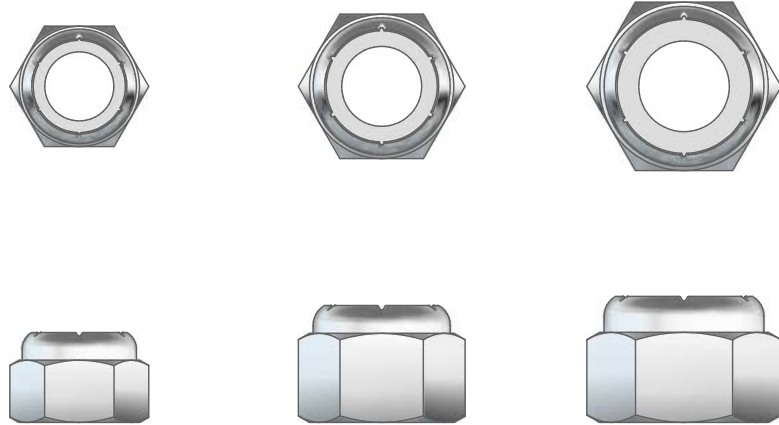
"Width Across the Flats" is the same as "Wrench Size"



US NYLON INSERTED HEX LOCK NUT SIZE CHART

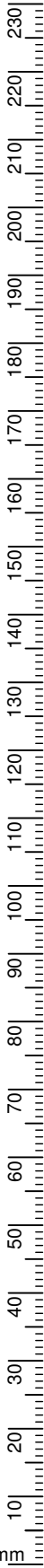
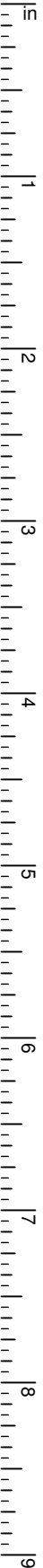


F - Width Across the Flats
 G - Width Across Corners
 H - Thickness

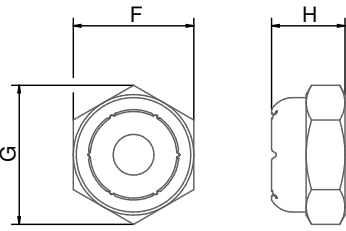


Nut Sizes	7/16"	1/2"	9/16"
Thread Per Inch (TPI) - Course	14	13	12
Thread Per Inch (TPI) - Fine	20	20	18
Width Across the Flats	0.627"	0.752"	0.877"
Width Across Corners	0.724"	0.868"	1.013"
Thickness	0.468"	0.609"	0.656"

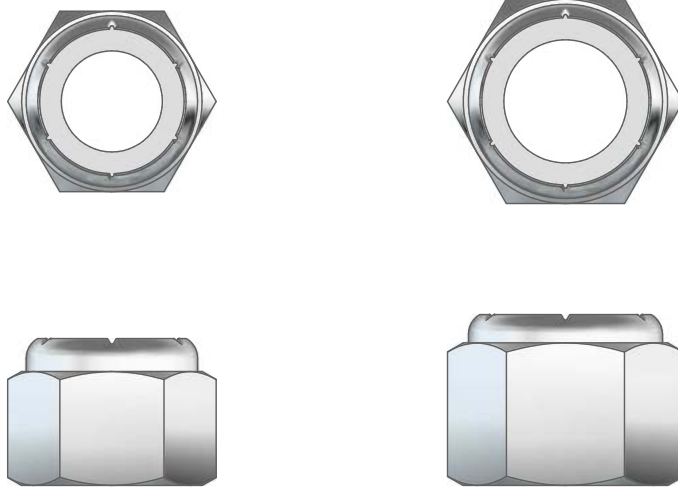
"Width Across the Flats" is the same as "Wrench Size"



US NYLON INSERTED HEX LOCK NUT SIZE CHART



F - Width Across the Flats
 G - Width Across Corners
 H - Thickness

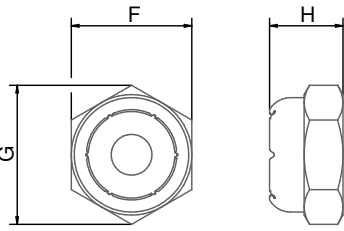


Nut Sizes	5/8"	3/4"
Thread Per Inch (TPI) - Course	11	10
Thread Per Inch (TPI) - Fine	18	16
Width Across the Flats	0.940"	1.064"
Width Across Corners	1.085"	1.229"
Thickness	0.765"	0.890"

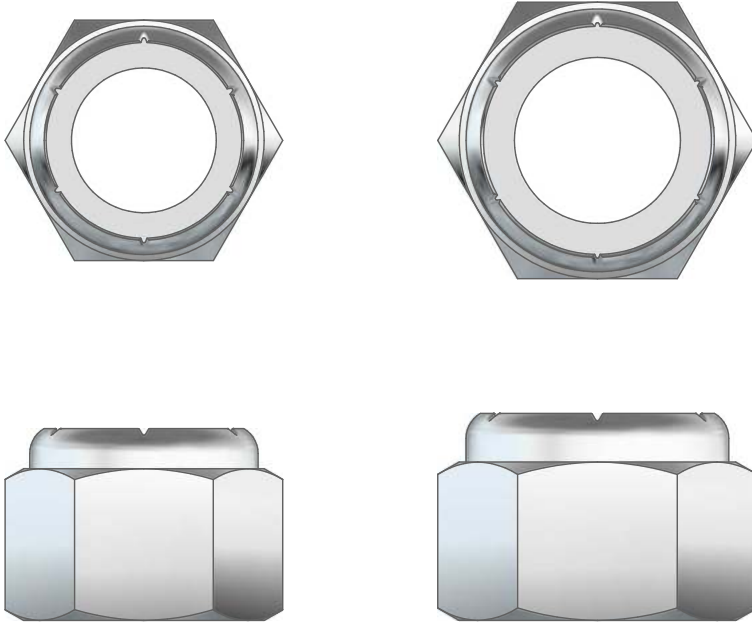
"Width Across the Flats" is the same as "Wrench Size"



US NYLON INSERTED HEX LOCK NUT SIZE CHART



F - Width Across the Flats
 G - Width Across Corners
 H - Thickness



Nut Sizes	7/8"	1"
Thread Per Inch (TPI) - Course	9	8
Thread Per Inch (TPI) - Fine	14	12
Width Across the Flats	1.252"	1.44"
Width Across Corners	1.446"	1.663"
Thickness	0.999"	1.078"

"Width Across the Flats" is the same as "Wrench Size"

